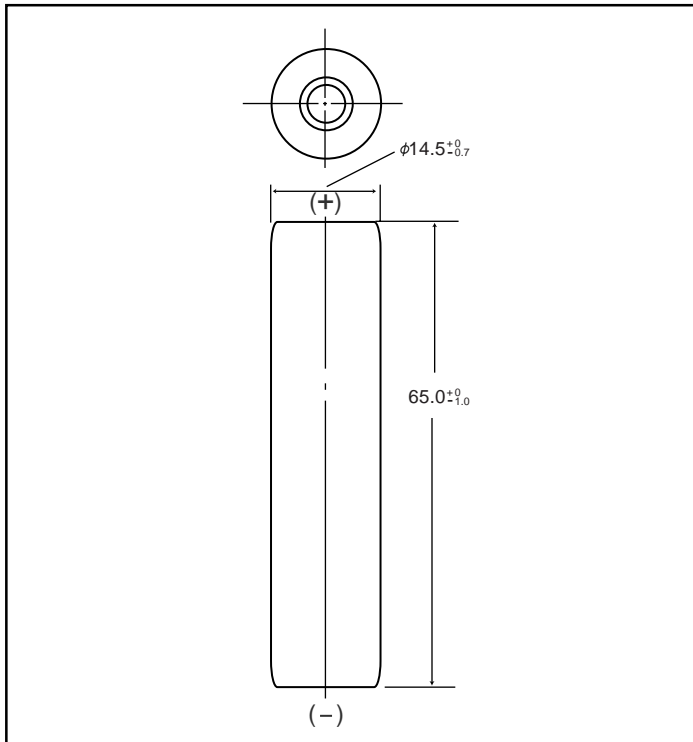


NICKEL CADMIUM BATTERIES: INDIVIDUAL DATA SHEET

P-120AAS L-AA size Type: S

Dimensions (with tube) (mm)



Specifications

	mm	inch
Diameter	14.5 +0/-0.7	0.57 +0/-0.03
Height	65.0 +0/-1.0	2.56 +0/-0.04
Approximate Weight	Grams	Ounces
	31g	1.09

Nominal Voltage		1.2V	
Discharge Capacity*	Average**	1280mAh	
	Rated (Min.)	1200mAh	
Approx. Internal impedance at 1000Hz at charged state		16m Ω	
Charge	Standard	120mA (0.1It) x 16 hrs.	
	Rapid***	1200mA (1It) x 1.5 hrs.	
Ambient Temperature	Charge	Standard	$^{\circ}\text{C}$
			$^{\circ}\text{F}$
	Rapid	$^{\circ}\text{C}$	$^{\circ}\text{F}$
		$^{\circ}\text{C}$	$^{\circ}\text{F}$
Discharge	$^{\circ}\text{C}$		$^{\circ}\text{F}$
	$^{\circ}\text{C}$		$^{\circ}\text{F}$
	$^{\circ}\text{C}$		$^{\circ}\text{F}$
Storage	< 2 years	$^{\circ}\text{C}$	$^{\circ}\text{F}$
	< 6 months	$^{\circ}\text{C}$	$^{\circ}\text{F}$

* 0.2It discharge capacity after charging at 0.1It for 16 hours.

** For reference only.

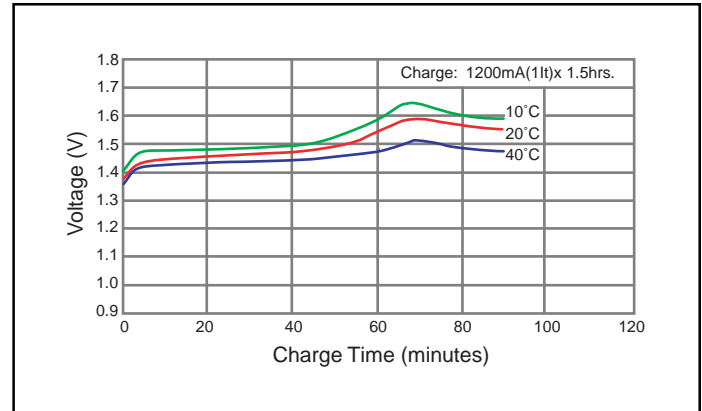
*** Refer to "Charge Methods for Ni-Cd Batteries"

Battery performance and cycle life are strongly affected by how they are used. In order to maximize battery safety, please consult Panasonic when determining charge / discharge specs, warning label contents and unit design.

Note: [It] was previously expressed as [C]. [It] is an IEC standard expression for the amount of charge or discharge current and is expressed as: $\text{It(A)} = \text{Cn (Ah)/1h}$.

- [It] is the reference test current in amperes
- [Cn] is the rated capacity of the cell or battery in Ampere-hours.
n = the time base [hours] for which the rated capacity is declared

Typical Charge Characteristics



Typical Discharge Characteristics

